

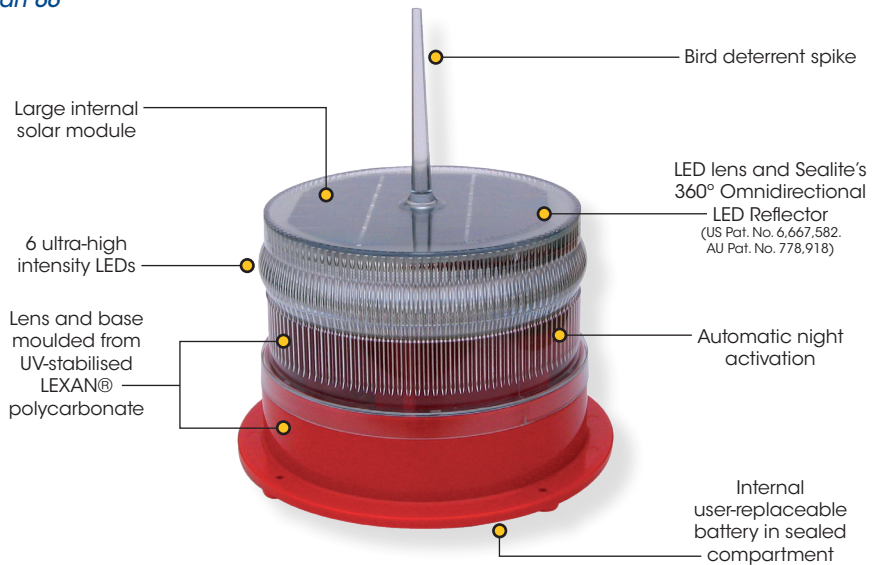
SL-60

2-3NM+ Solar Marine Lantern

This equipment complies with requirements of the U.S. Coast Guard in 33 CFR part 66



Shown with optional 200mm bolt pattern base



The Sealite Advantage

- 256 IALA flash patterns, user-adjustable without the need for external devices
- User-replaceable battery in sealed battery compartment
- NiMH battery for long service life & wide temperature range
- 4 user-adjustable intensity settings
- ON/OFF storage switch
- IP68 waterproof

The Sealite SL-60 is the world's most popular and versatile 2-3NM+ solar marine light.

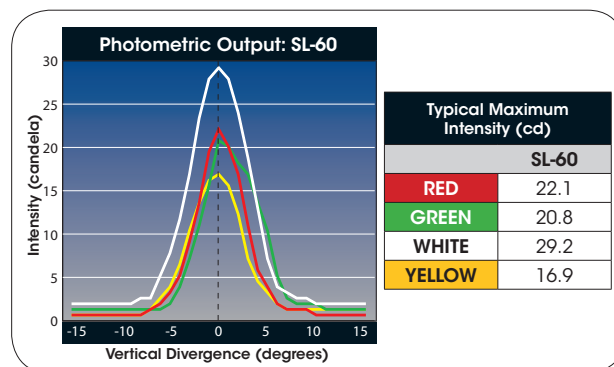
Made from tough, durable polycarbonate and using the latest high intensity LEDs, no expense has been spared in the design and development of this lantern.

The SL-60 can be installed in minutes, and requires no operator intervention. The flash characters are easily adjusted onsite by the user, and the lantern has a permanent ON/OFF switch for easy storage. During daylight hours the solar module will charge the battery and the lantern will automatically begin operation at dusk – once the ambient light threshold drops sufficiently.

The sealed battery compartment allows the battery to be replaced after years of service – don't throw the light away at the end of the battery service life.

Optional 200mm Bolt Pattern Base

The SL-60 is available with optional large 200mm bolt pattern to suit installation requirements.

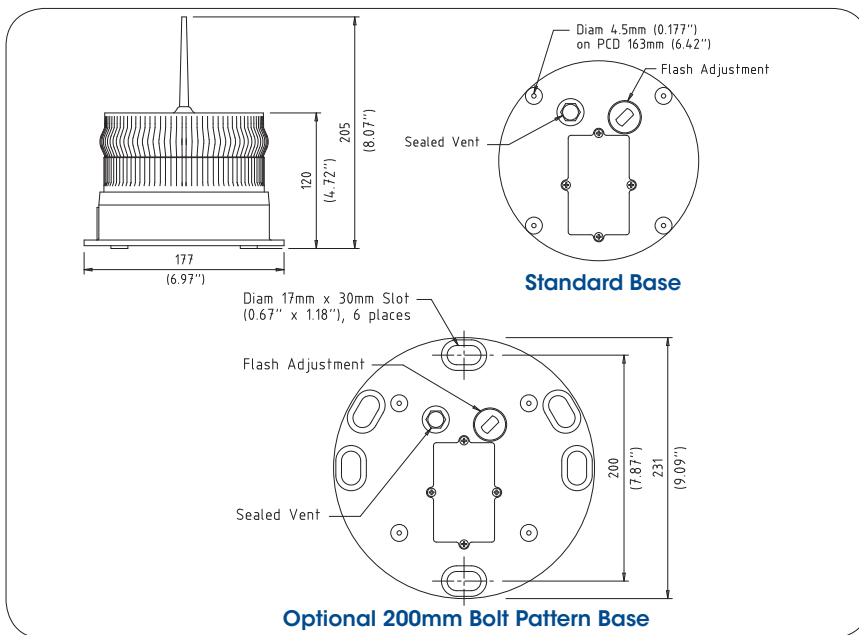


SL-60

2-3NM+ Solar Marine Lantern



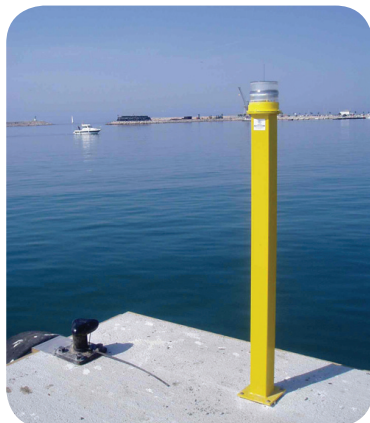
User-replaceable battery



Sochi, Russia



Cadiz, South of Spain



Barcelona, Spain

SPECIFICATIONS * SL-60

Light Characteristics

Light Source: 6 ultra-high intensity LEDs
 Available Colours: Red, Green, White, Yellow, Blue
 Typical Maximum Intensity (cd)†: Red - 22.1 Green - 20.8 White - 29.2 Yellow - 16.9
 Visible Range (NM): 2-3+
 Horizontal Output (degrees): 360
 Vertical Divergence (degrees): 7
 Reflector Type: Omnidirectional 360° LED Reflector (US Pat. No. 6,667,582. AU Pat. No. 778,918)

Available Flash Characteristics

Intensity Adjustments: Up to 256 IALA recommended (user adjustable)
 LED Life Expectancy (hours): Adjustable in 25% increments
 >100,000

Electrical Characteristics

Current Draw (mA): Refer to Sealite Power Calculator
 Circuit Protection: Integrated
 Nominal Voltage (V): 3.6
 Autonomy (days): >20 (14 hour darkness, 12.5% duty cycle)
 Temperature Range: -40 to 80°C

Solar Characteristics

Solar Module Type: Multicrystalline
 Output (watts): 1.4

Power Supply

Battery Type: High grade NiMH
 Battery Capacity (Ah): 4
 Nominal Voltage (V): 3.6
 Battery Service Life: Average 5 years

Physical Characteristics

Body Material: LEXAN® Polycarbonate - UV-stabilised
 Lens Material: LEXAN® Polycarbonate - UV-stabilised
 Lens Diameter (mm/inches): 150 / 5 7/8
 Lens Design: External optics with interior flute design
 Mounting: 4 x 4.5mm mounting holes
 Height (mm/inches): 205 / 8 1/8
 Width (mm/inches): 177 / 7
 Mass (kg/lbs): 0.9 / 2 1/8 (SL-60LB 1 / 2 1/4. SL-60-8AH 1 / 2 1/4. SL-60LB-8AH 1.1 / 2 1/2. SL-60LB-16AH 1.5 / 3 1/3)
 Product Life Expectancy: Up to 12 years

Certifications

CE: EN61000-6-3:1997. EN61000-6-1:1997
 Quality Assurance: ISO9001:2008
 Waterproof: IP68

Intellectual Property

Patents: US Pat. No. 6,667,582. AU Pat. No. 778,918
 Trademarks: SEALITE® is a registered trademark of Sealite Pty Ltd
 Warranty * : 3 years

Options Available

- 8Ah battery
- 16Ah battery
- 200mm bolt pattern base
- 50mm pole mount adapter plate



* Specifications subject to change or variation without notice
 † Subject to standard terms and conditions
 ‡ Intensity setting subject to solar availability

